

5

SAILSETC Catalogue Number

Fitting Description

gooseneck/kicking strap

Applications

round masts, IOM, 36R, 36/600, US One Metre, small yachts

Drawing Code

Product Information **PI 5**

copyright SAILSetc 2006

Contents

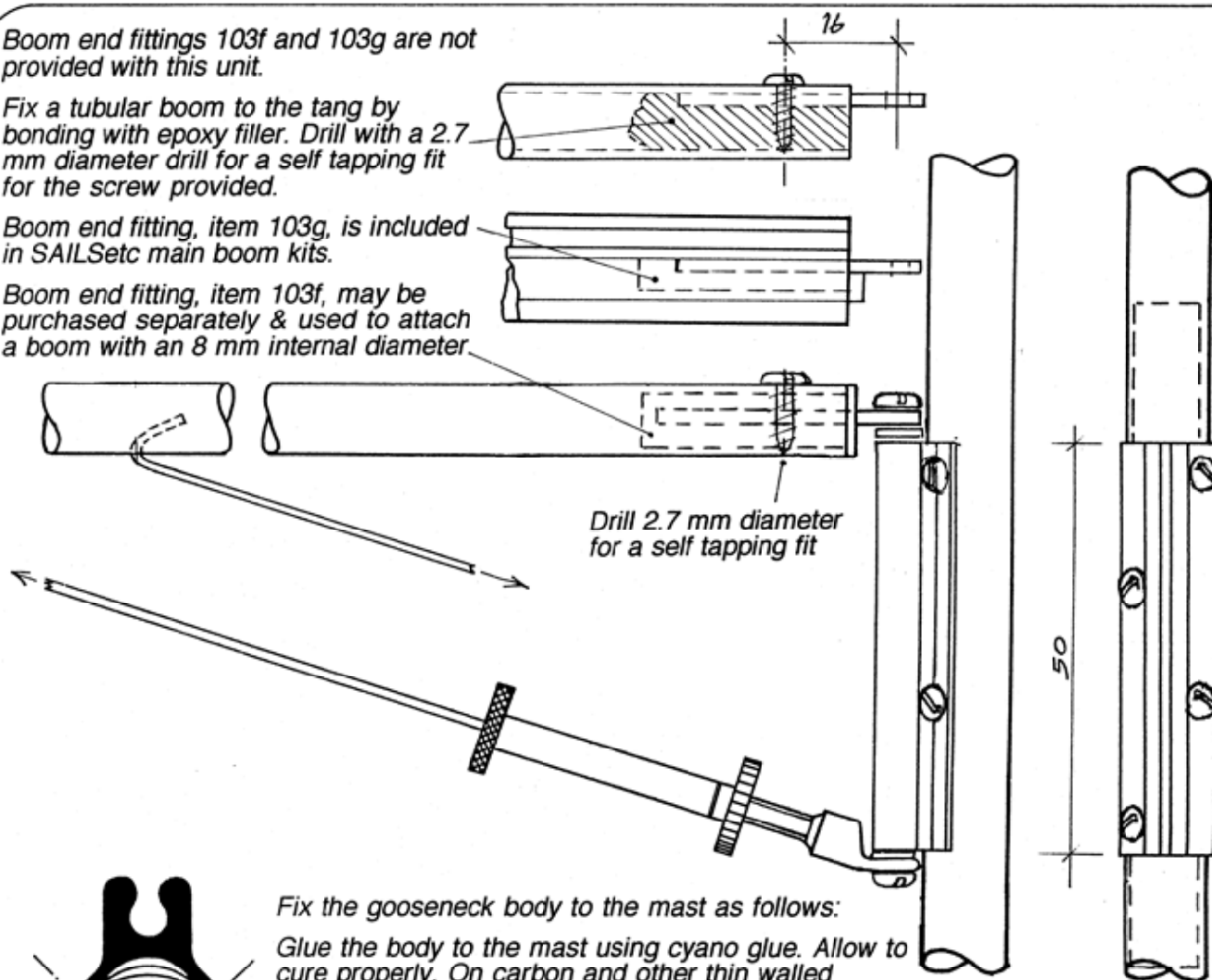
Qty	Item
1	gooseneck/kicking strap unit
1	No 4 x 9 mm pan head screw
4	No 2 x 9 mm pan head screw
1	1.8 mm diameter drill

Boom end fittings 103f and 103g are not provided with this unit.

Fix a tubular boom to the tang by bonding with epoxy filler. Drill with a 2.7 mm diameter drill for a self tapping fit for the screw provided.

Boom end fitting, item 103g, is included in SAILSetc main boom kits.

Boom end fitting, item 103f, may be purchased separately & used to attach a boom with an 8 mm internal diameter.



Drill 2.7 mm diameter for a self tapping fit

Fix the gooseneck body to the mast as follows:

Glue the body to the mast using cyano glue. Allow to cure properly. On carbon and other thin walled masts there should be a reinforcing tube inside the mast tube in this area. Use the 1.8 mm drill provided to drill staggered holes where shown at right angles to the body of the gooseneck.

Carefully drive in the small pan head screws. Be aware that they are a tight fit in the holes and cannot be driven in directly. Screw clockwise half a turn and then back a quarter of a turn. Repeat until driven home.